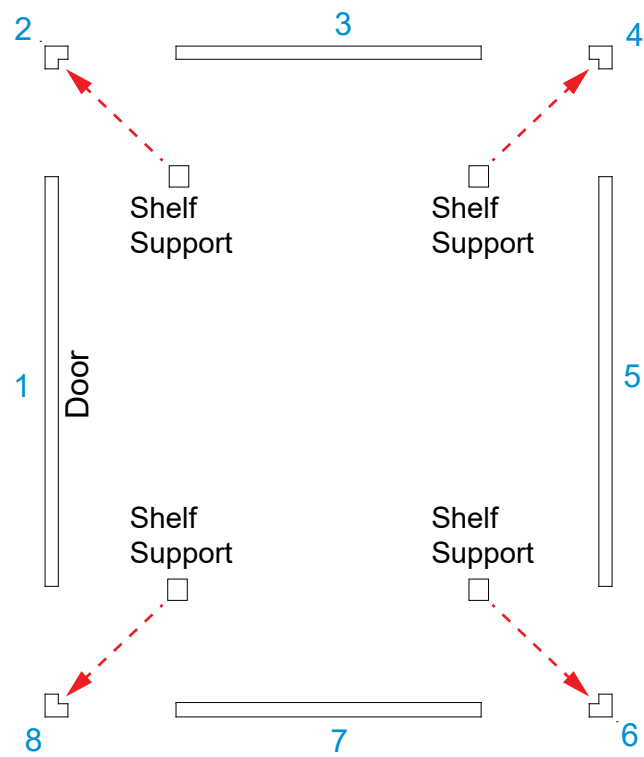


EURO LT Panel System

Item	Description
1	19" w x 38" h Door Panel
2	38" h 90° Connector
3	14.125" w x 38" h Flat Panel
4	38" h 90° Connector
5	19" w x 38" h Door Panel
6	38" h 90° Connector
7	14.125" w x 38" h Flat Panel
8	38" h 90° Connector

Steps:

- 1) Connect panels together in numerical order. See LT Panel Assembly details on reverse side.
- 2) Connect Velcro of shelf supports to interior of Euro LT panel assembly.



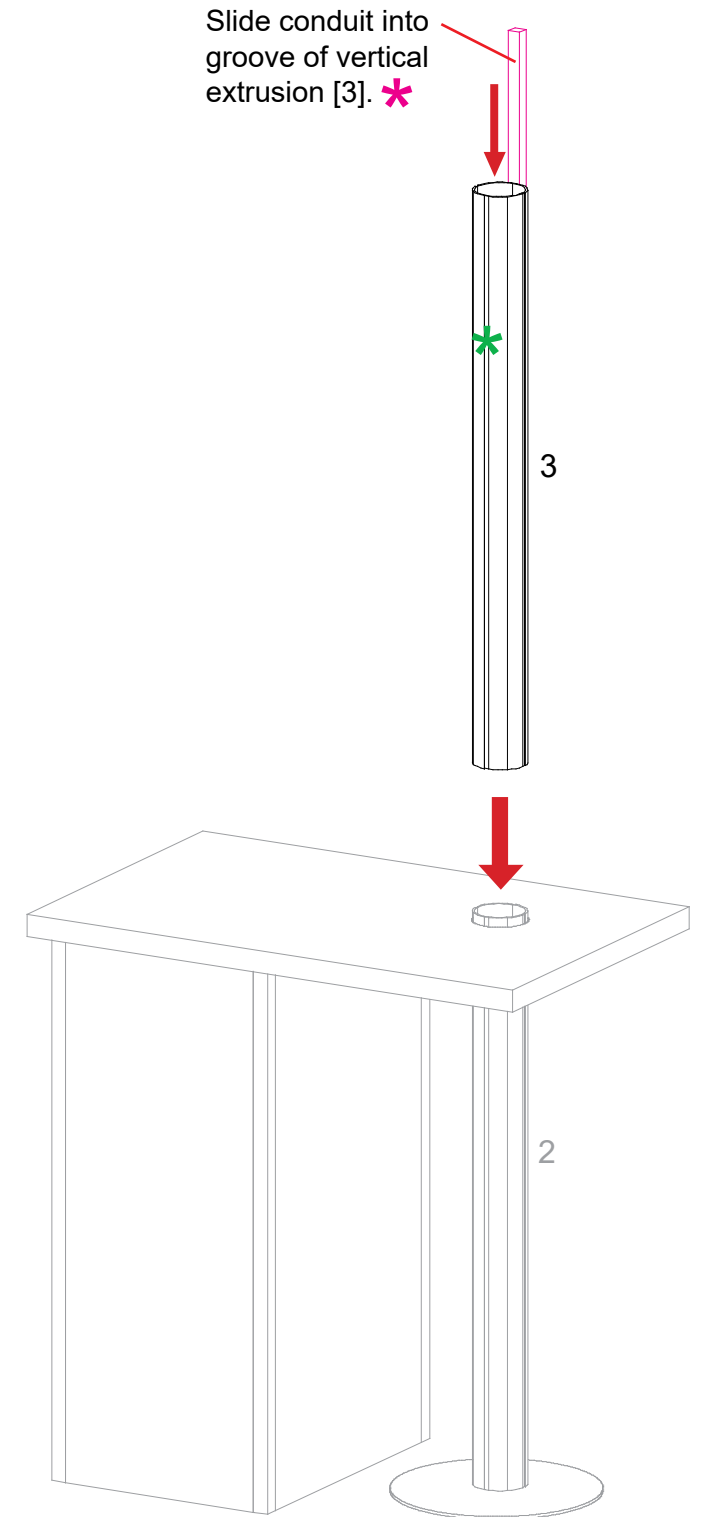
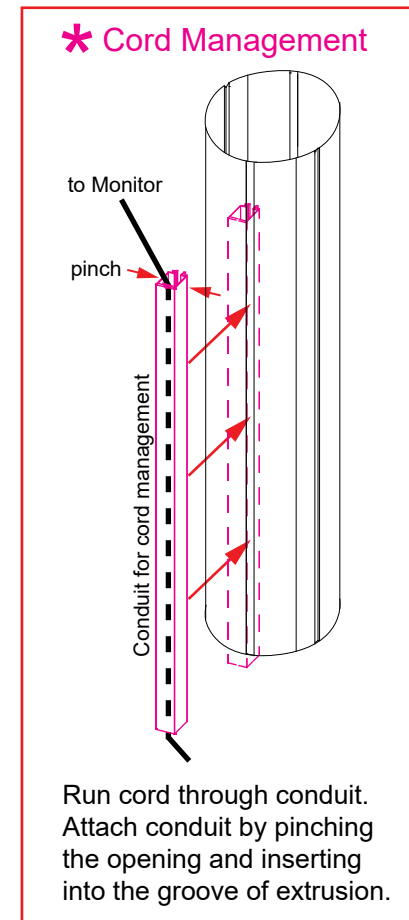
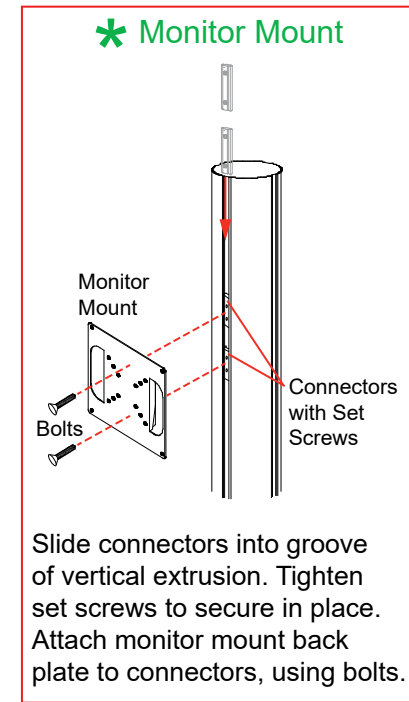
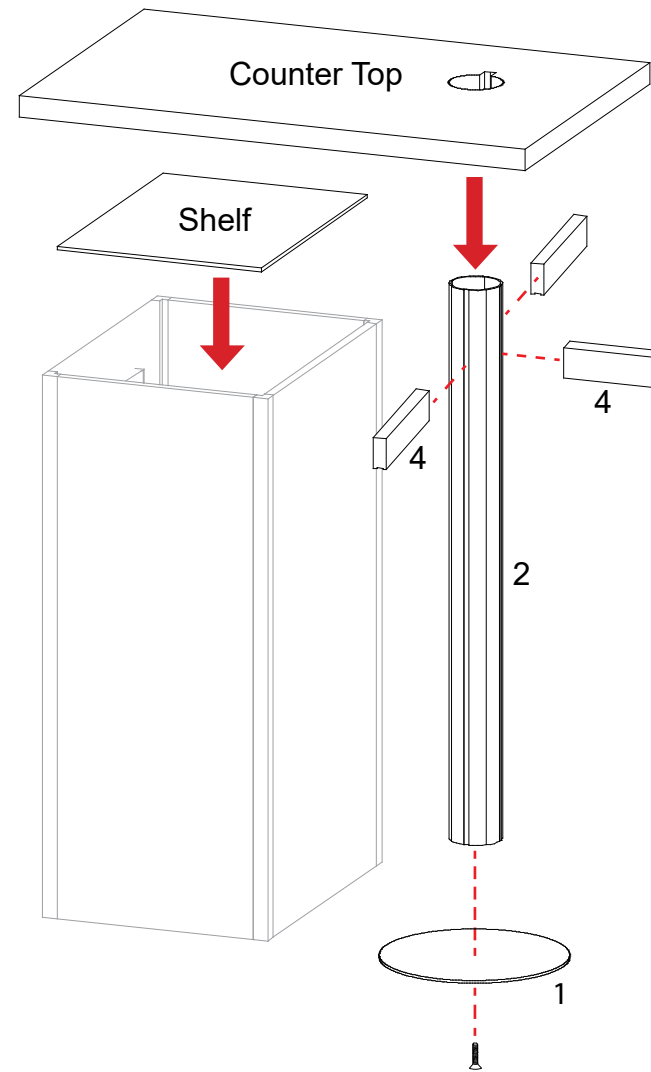
Euro LT Panel Assembly

Module Extrusion System

Item	QTY	Description
1	1	Base Plate
2	1	38.875" h Lower Vertical Extrusion
3	1	38.875" h Upper Vertical Extrusion
4	3	Counter Support Extrusion

Steps (Cont'd):

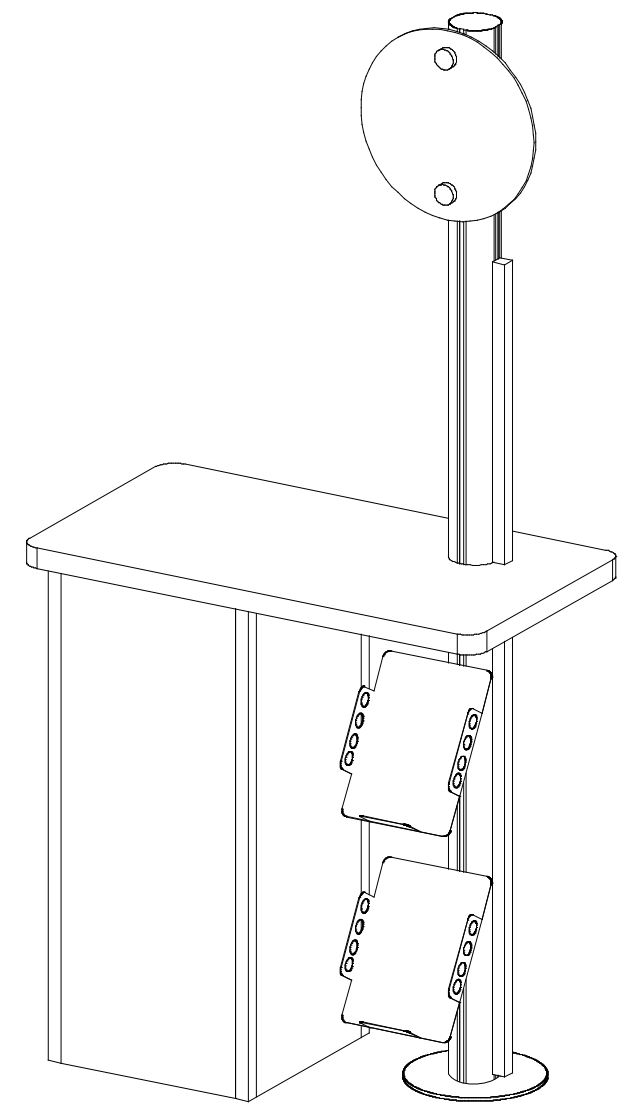
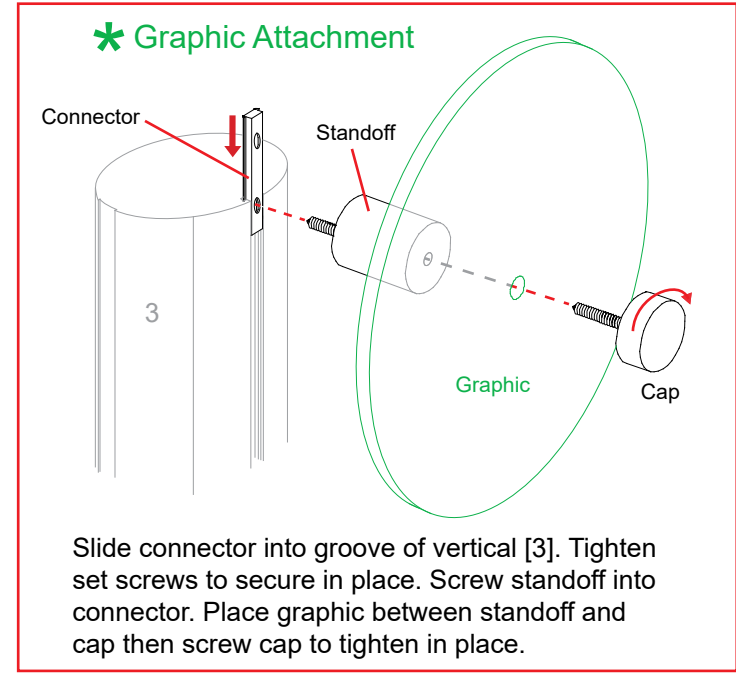
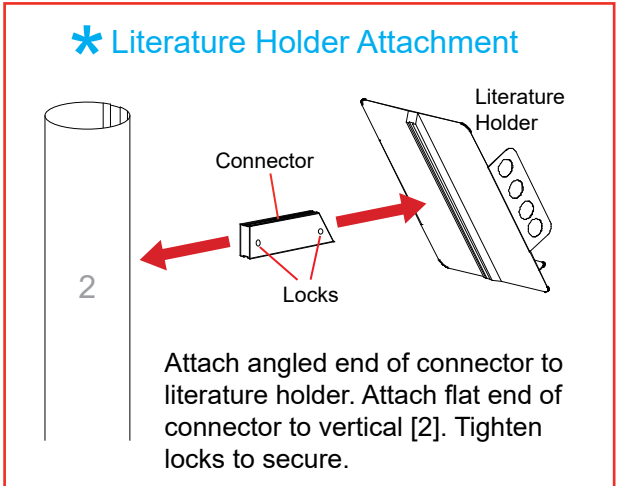
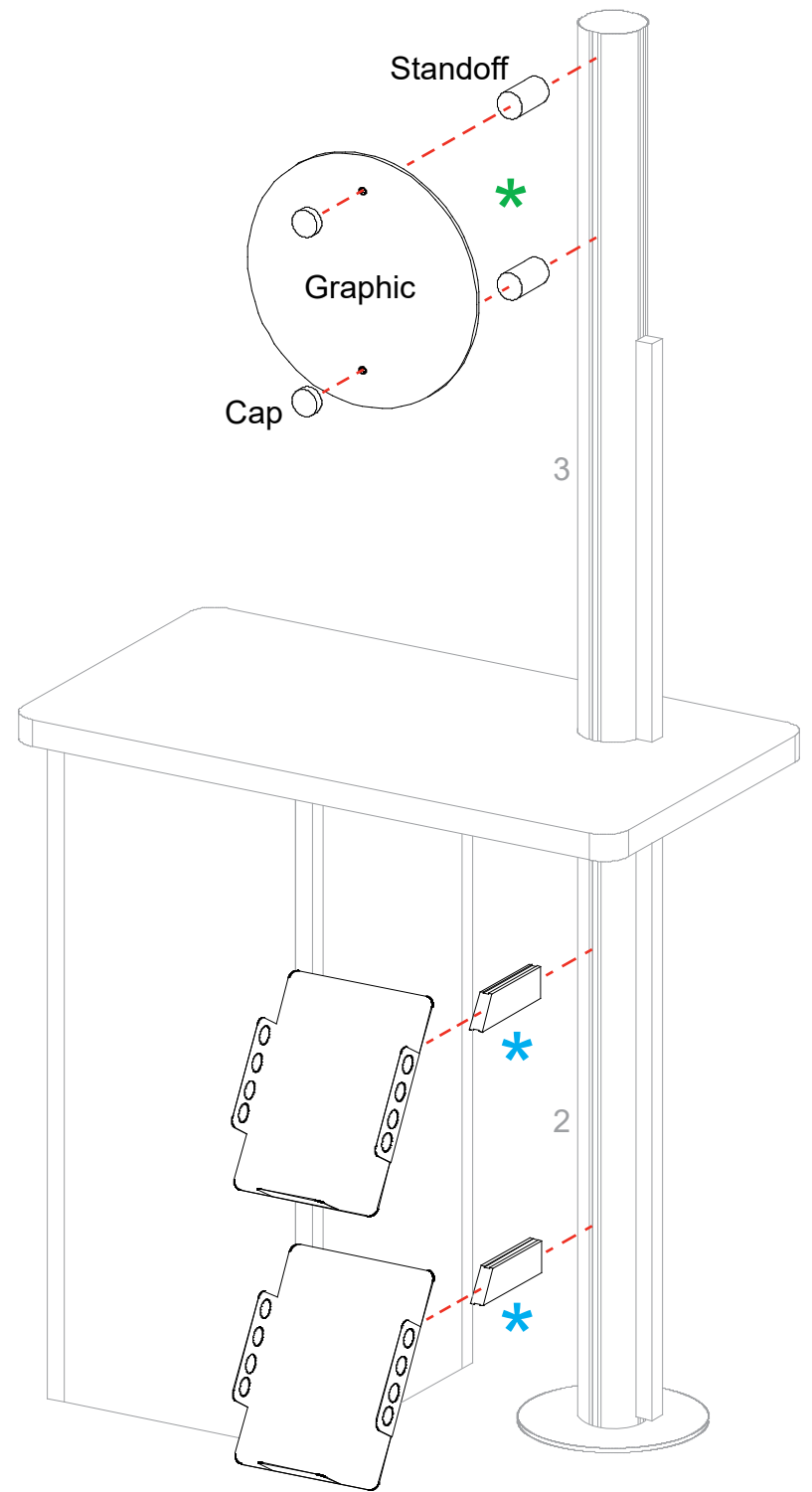
- 3) Place shelf on top of shelf supports.
- 4) Attach base plate [1] to extrusion [2].
- 5) Attach extrusions [4] to extrusion [2].
- 6) Slide counter top on extrusion [2], then rest on assembled LT panels and extrusions [4].
- 7) Attach extrusion [3] to extrusion [2].
- 8) Attach monitor mount to extrusion [3]. See **Monitor Mount** detail.



SETUP INSTRUCTIONS

Steps:

- 1) Attach Literature Holders to Vertical Extrusion [2]. See [Literature Holder Attachment](#) detail.
- 2) Attach Graphic to Vertical Extrusion [3]. See [Graphic Attachment](#) detail.



Completed Assembly

General Setup Instructions

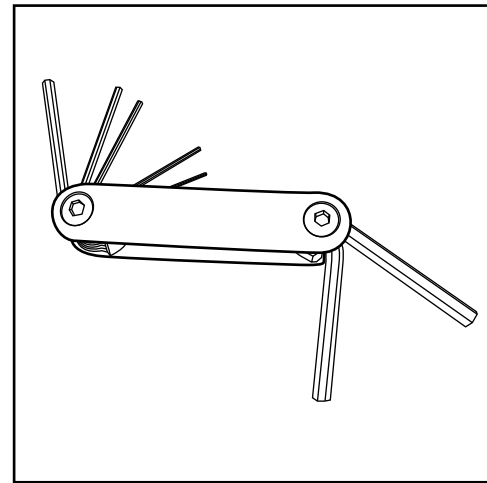
- Read entire setup instruction manual prior to unpacking parts and pieces.
- The setup instructions are created specifically for this configuration.
- Setup instructions are laid out sequentially in steps, including exploded views with detailed explanation for assembly.

Cleaning & Packing

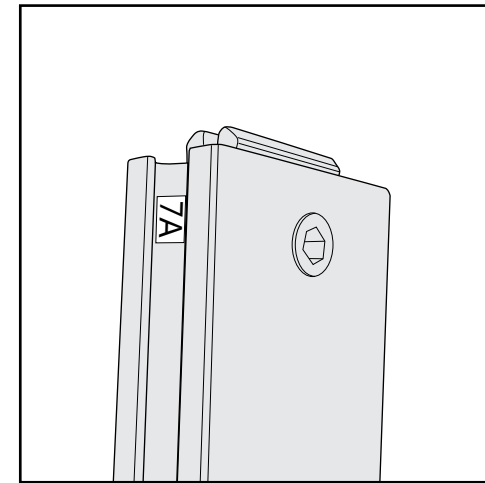
- For Cleaning Metal, Plex, & Laminate Parts: Use a **MILD NON-ABRASIVE** cleanser and soft cloth/paper towel to clean all surfaces.
- Keep exhibit components away from heat and prolonged sun exposure.
Heat and UV exposure will warp and fade components.
- Retain all provided Packing Materials. All provided packing materials are for ease of repacking & component protection.

Disassembly

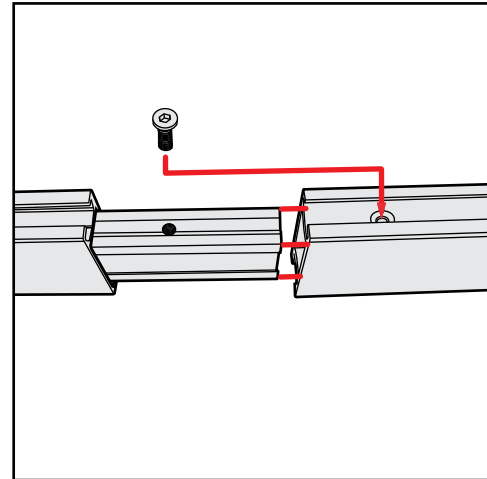
- For loss prevention, tighten all set screws and locks during disassembly.



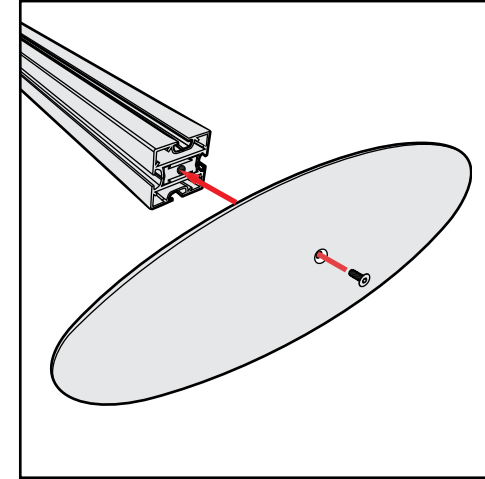
Hex Tool - Essential for Assembly



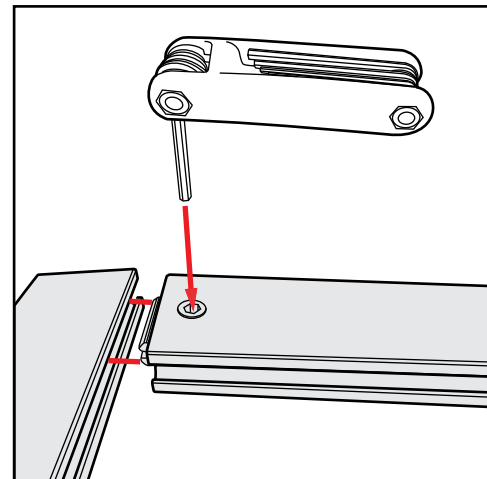
Part Identification - Numbering



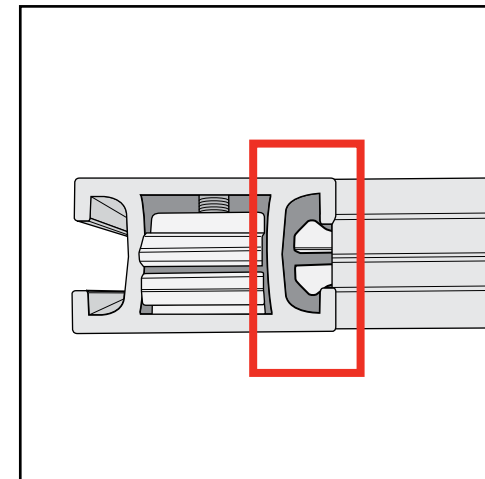
Spline Connection



Base Plate & Extrusion Connection



Extrusion & Lock Connection



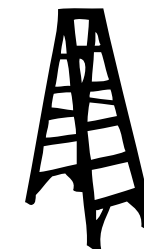
Engaged Lock



WARNING



DO NOT USE POWER TOOLS



LADDERS OR LIFTS
MAY BE REQUIRED



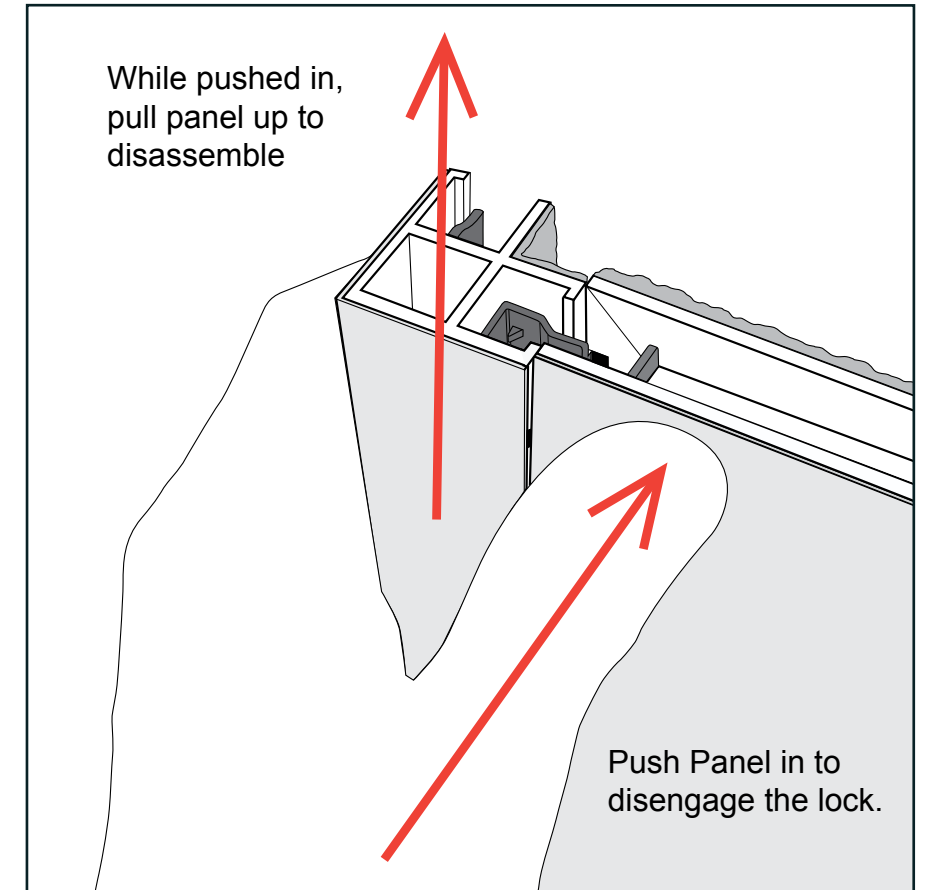
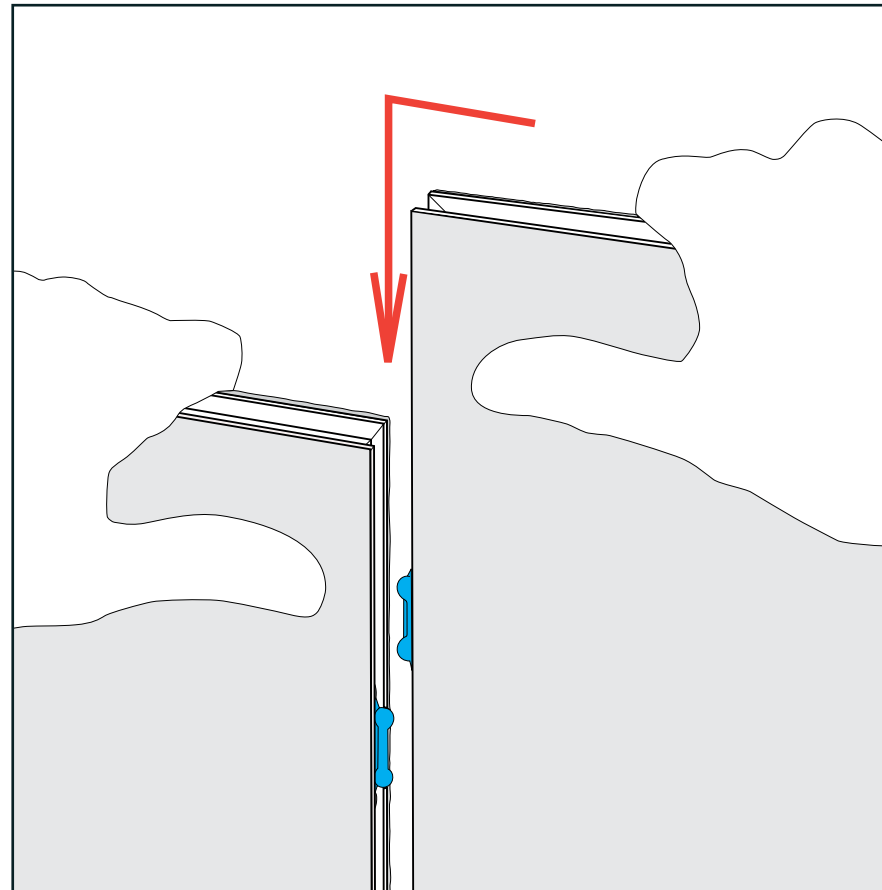
ALL CONNECTIONS MUST
BE TIGHTLY SECURED

LT Panel Assembly

- 1) With a vertical offset, place LT-Panels side-by-side; slide vertically offset panel down to lock panels together and in place.
- 2) Corner Connectors (90°, T-Connector, Straight Connector) connect just as panels connect together. Repeat Step 1 for installing corner connectors to panels.

LT Panel Disassembly

- 1) To disassemble push panel with upper locks horizontally to disengage top lock clip.
- 2) Slide panels or connectors vertically in opposing directions to release latches and disconnect parts.



Top View of Each Level

